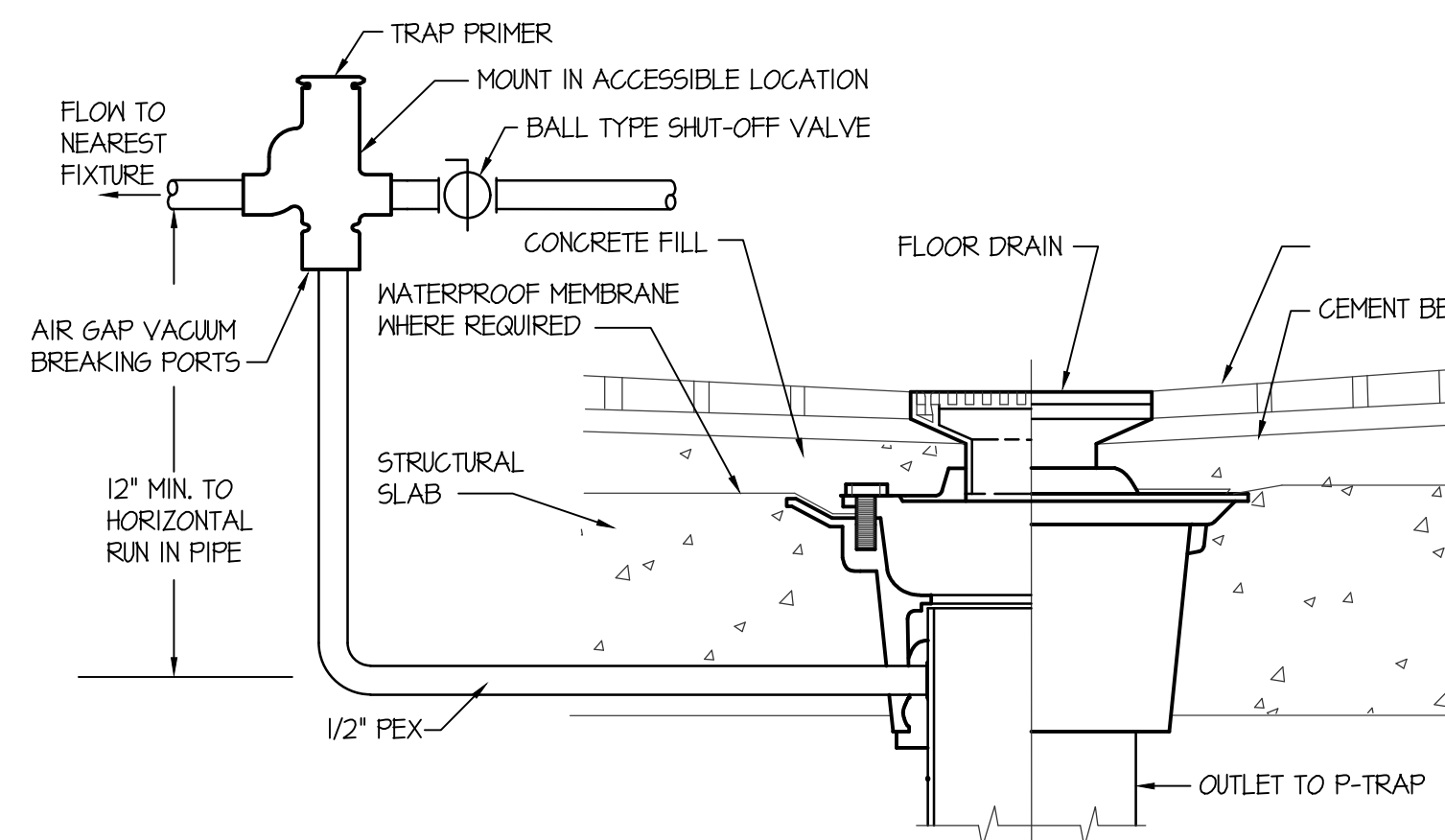
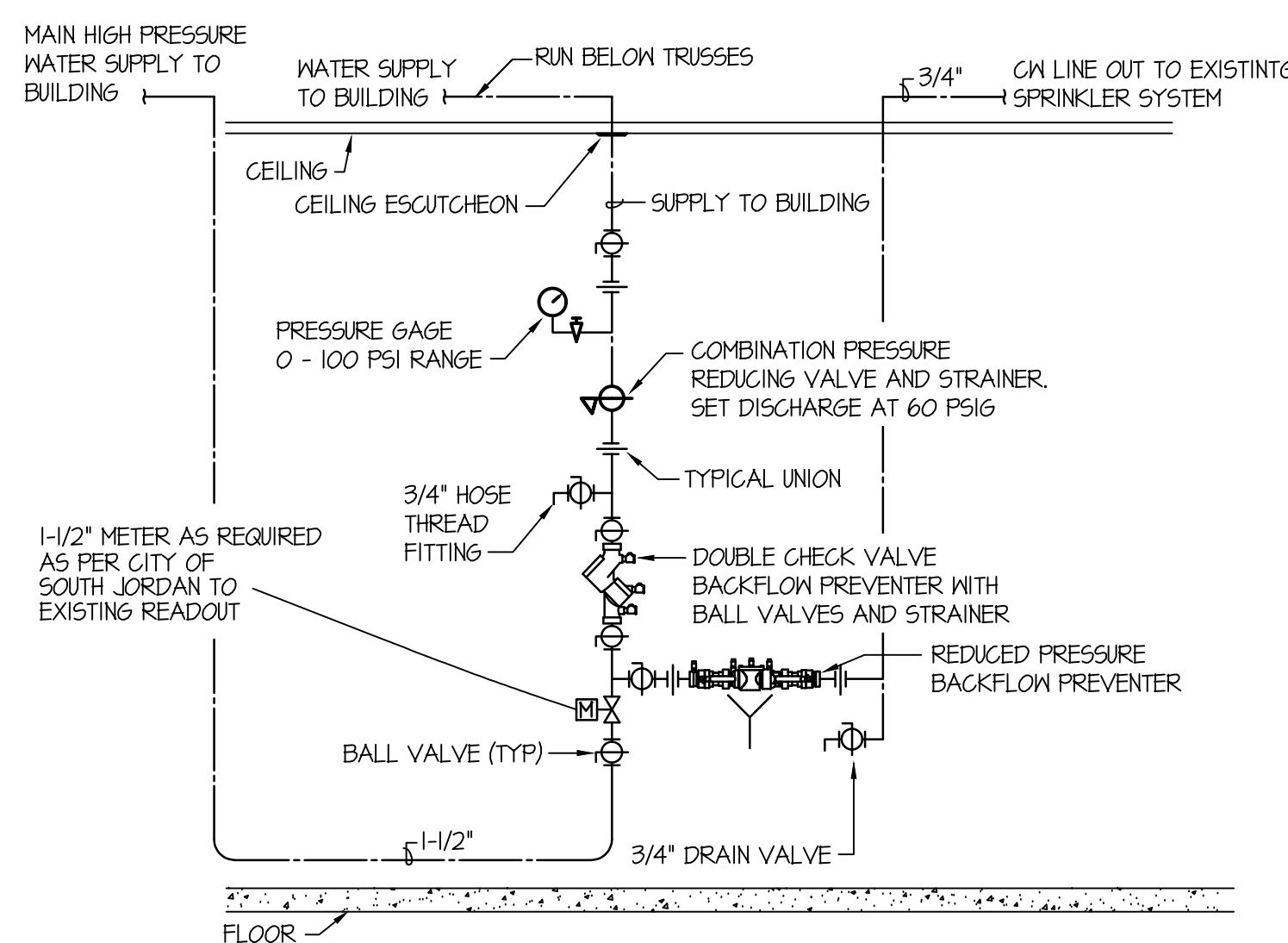
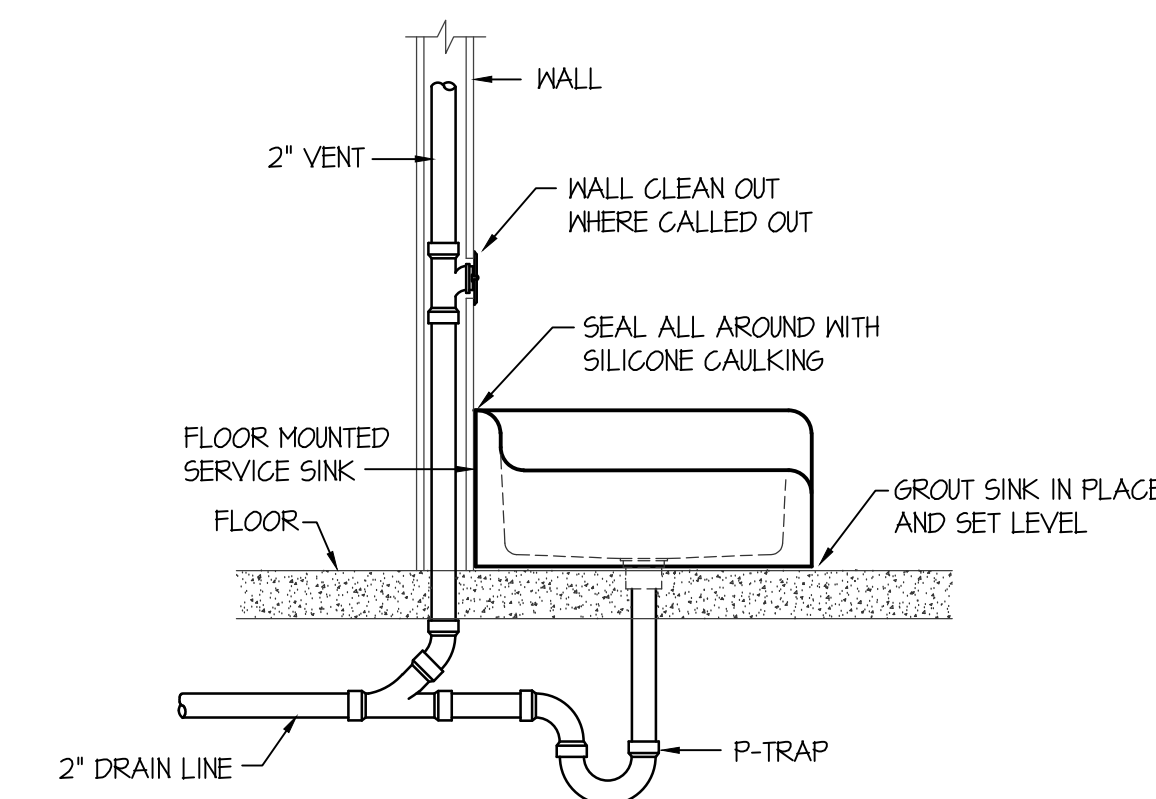
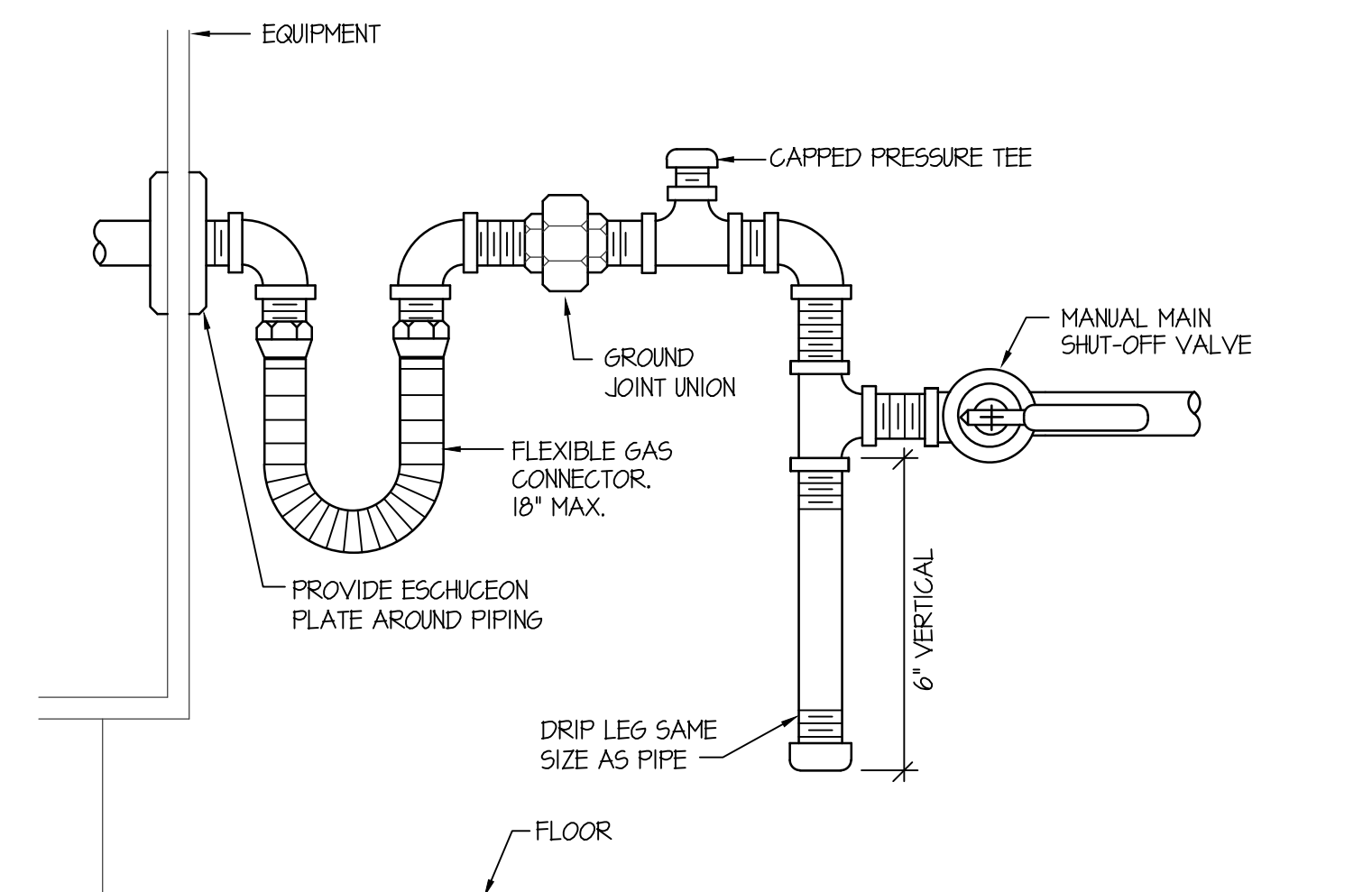
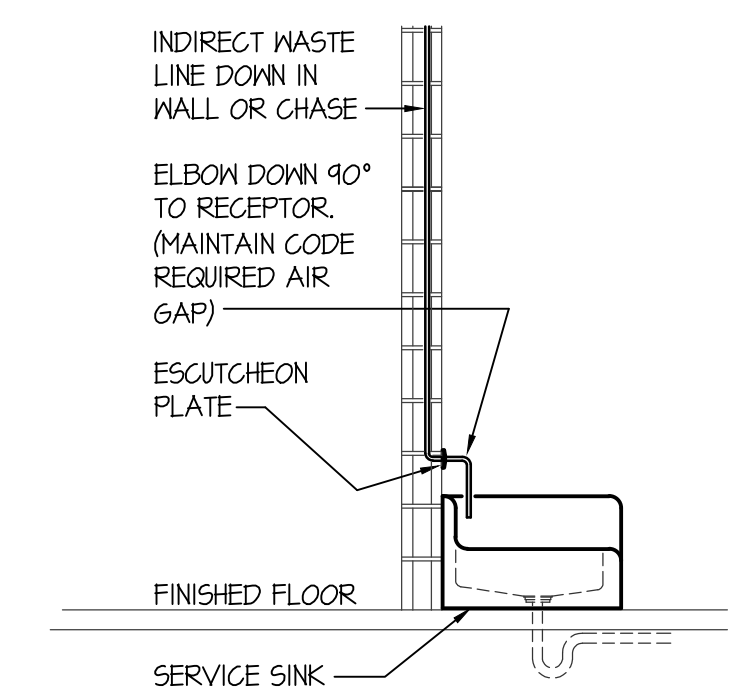
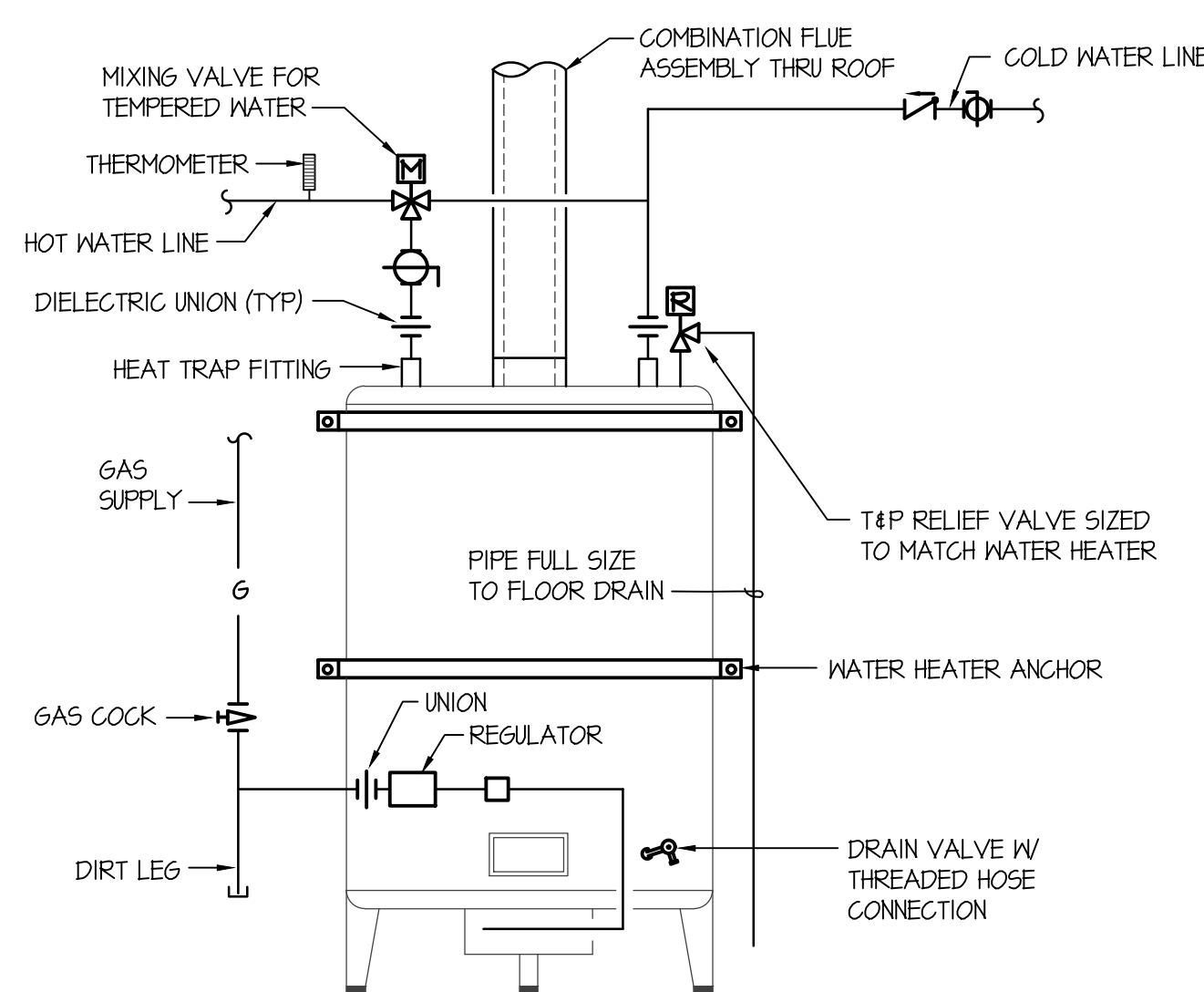


CLEAN OUT DETAILS
NO SCALE



FIXTURE SCHEDULE					
SYM.	DESCRIPTION	HOT	COLD	WASTE	VENT
(DF-1)	BI-LEVEL DRINKING FOUNTAIN - ELKAY MODEL LZ5TL8W6LK WITH BOTTLE FILLER STATION & FILTER FRONT PUSH BAR OPERATORS, 1/2" STOP, 1-1/2" P-TRAP AND FLEX-GUARD SAFETY BUBBLER VALVE.	---	1/2"	1-1/2"	1-1/2"
(FD-1)	2" FLOOR DRAIN - ZURN Z-415 WITH 5" NICKEL-BRONZE STRAINER AND 2" DEEP SEAL P-TRAP, ZURN 1022 TRAP PRIMER.	---	---	2"	2"
(HB-1)	HOSE BIBB - AQUOR UNIVERSAL OUTLET.	---	3/4"	---	---
(HW-1)	ADA WALL HUNG LAVATORY - KOHLER K-2032 "GREENWICH" WITH WALL CARRIER, MOEN L4600 LEVER HANDLE FAUCET, K-7715 OPEN GRID STRAINER WITH OFFSET WASTE LINE, 1/2" STOPS AND 1-1/4" P-TRAP. PROVIDE INSULATING JACKET ON HW AND WASTE PIPING.	1/2"	1/2"	1-1/2"	1-1/2"
(L-1)	ADA WALL HUNG LAVATORY - KOHLER MODEL K-2405-4 SELF-RIMMING "FARMINGTON" WITH MOEN L4600 LEVER FAUCET, K-7715 OPEN GRID STRAINER, 1/2" BALL STOPS AND 1-1/4" P-TRAP. PROVIDE INSULATING JACKET ON HW AND WASTE PIPING.	1/2"	1/2"	1-1/2"	1-1/2"
(L-2)	ADA COUNTERTOP LAVATORY - KOHLER MODEL K-2405-4 SELF-RIMMING "FARMINGTON" WITH MOEN L4600 LEVER FAUCET, K-7715 OPEN GRID STRAINER, 1/2" BALL STOPS AND 1-1/4" P-TRAP. PROVIDE INSULATING JACKET ON HW & DRAIN UNDER LAVATORY.	1/2"	1/2"	1-1/2"	1-1/2"
(JS-1)	FLOOR MOUNTED SERVICE SINK - FIAT MODEL 24EFS (24"x24") MOP SINK WITH FIAT 830AA FAUCET AND 2" DEEP SEAL P-TRAP AND STRAINER	1/2"	1/2"	2"	2"
(S-1)	SINGLE COMPARTMENT SINK - ELKAY MODEL 1414 WITH LK-35 STRAINERS, 1/2" STOPS, 1-1/2" P-TRAP, STUDOR VENT, AND LK6000 GOOSENECK FAUCET WITH SINGLE LEVER HANDLE AND PULL-DOWN SPRAY.	1/2"	1/2"	1-1/2"	1-1/2"
(U-1)	ADA WALL MOUNTED URINAL - KOHLER K-4894-T "FRESHMAN" WITH WALL CARRIER & SLOAN OPTIMA BATTERY OPERATED FLUSH VALVE. MOUNT AT ADA HEIGHT.	---	3/4"	2"	2"
(WC-1)	ADA TANK TYPE WATER CLOSET - KOHLER K-3421 "HIGHLINE" W/ ELONGATED BOWL, K-4670-C WHITE OPEN FRONT SEAT, BOLT CAPS AND 1/2" STOP VALVE. RIGHT OR LEFT HAND FLUSH LEVER SO LEVER IS ON OPEN SIDE OF ACCESSIBLE STALLS.	---	1/2"	4"	2"
(WC-2)	TANK TYPE WATER CLOSET - KOHLER K-3422 "WELLWORTH" W/ ELONGATED BOWL, K-4670-C WHITE OPEN FRONT SEAT, BOLT CAPS AND 1/2" STOP VALVE.	---	1/2"	4"	2"
(WH-1)	GAS WATER HEATER - A.O. SMITH MODEL 6PVX-50L HEATER WITH 120 VOLT POWER CORD, AMTROL ST-5 EXPANSION TANK, T&P VALVE. 50,000 BTU INPUT.	3/4"	3/4"	---	---



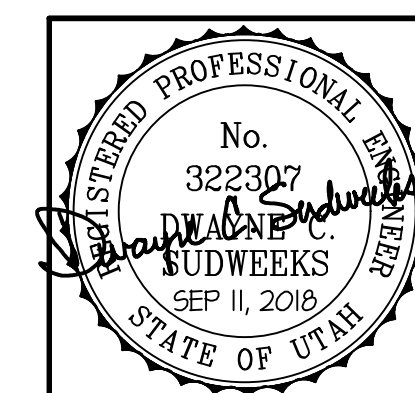
SEAL:

REV. DATE DESCRIPTION PERMITTING SET

New Tenant Improvement For:
THE RISING CHURCH
 10702 FRONTAGE ROAD
 SOUTH JORDAN UT 84095
 MOUNTAIN WEST ARCHITECTS | 543 25TH ST. - DEER, UT 84001 PH: 801-388-6052
 www.mountainwestarchitects.com

SHEET TITLE:
PLUMBING DETAILS AND SCHEDULES

SHEET NUMBER:
P201



Engineered Systems Associates
 1355 EAST CENTER
 POCATELLO, IDAHO 83201
 PHONE: (208) 233-0501
 FAX: (208) 233-0529
 EMAIL: esa@engsystems.com
 ESA JOB NUMBER: 19059

DO NOT SCALE DRAWING